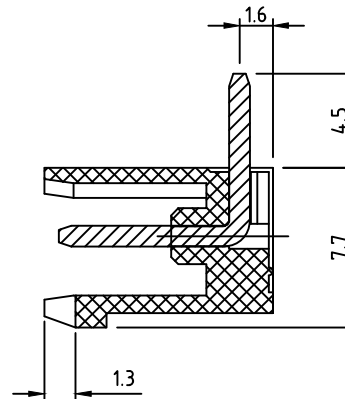
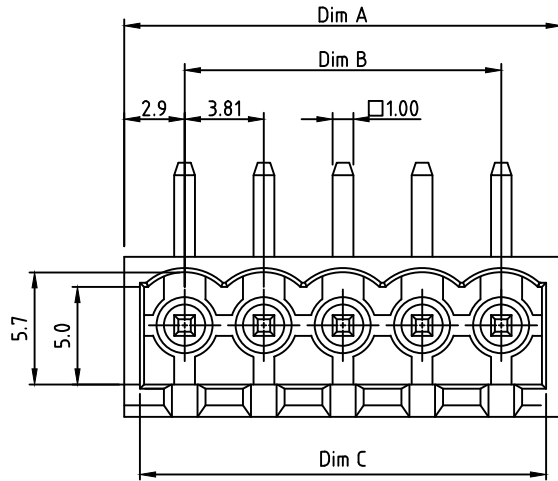
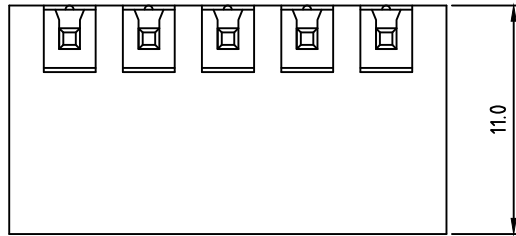


## SPECIFICATIONS

Current Rating: 8 Amps  
 Voltage Rating: 300V  
 Dielectric withstanding: 1.6KV  
 Operating Temperature: -40°C to +115°C  
 Soldering Temperature: 260°C±5°C for 5 seconds  
 Contact Material: Copper with Tin Plating  
 Insulator Material: Thermoplastic, UL 94V-0  
 Safety Approval:

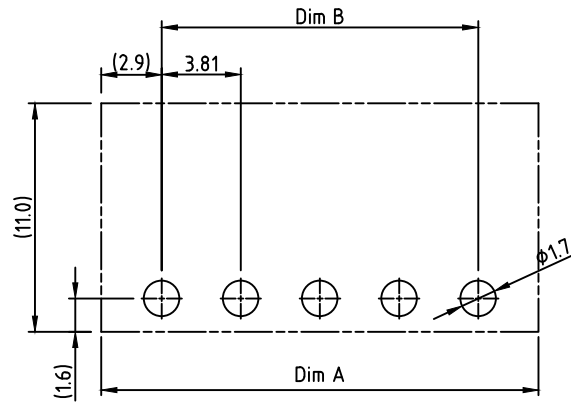


**RPEV-xx C A x A-FG**

No. OF POLES  
 02: 2 POLES  
 :  
 :  
 24: 24 POLES

FG: RoHS Compliant  
 (Lead <4% in Copper Alloy)

COLOR  
 J: Black(RAL9005)  
 B: Red(RAL3001/D)  
 C: Orange(RAL2011/P)  
 D: Yellow(RAL1018/A)  
 E: Green(RAL6018/T)  
 F: Blue(RAL5015/A)  
 H: Grey(RAL7035/D)  
 I: White(RAL1102)  
 3: Green(RAL6018/U)



**RECOMMENDED PCB LAYOUT**

Dimensions	
A	N×3.81+2
B	(N-1)×3.81
C	(N-1)×3.81+3.9

Poles	Dim c	Dim A&B
2P-5P	±0.15	±0.15
6P-10P	±0.20	±0.20
11P-15P	±0.25	±0.25
16P-20P	±0.30	±0.30
21P-24P	±0.35	±0.35

**APTOS Technology CONFIDENTIAL**  
 This document, and all information it contains, are the confidential, proprietary property of APTOS Technology. Disclosure, duplication or distribution of this document, or any information it contains, in whole or part, without prior written permission from APTOS Technology is strictly prohibited

GENERAL TOLERANCE UNLESS OTHERWISE SPECIFIED	
XXX. ± X	.XX ± 0.10
XX. ± X	.XXX ± X
X. ± 0.50	X.' ± 1'
.X ± 0.30	.X' ± 1'

REV. c	DRAWN	4/18/05
DATE 4/18/05	CHECKED	
SCALE As shown	APPROVED	
UNIT mm		SIZE A4



**RPEV Series**  
 3.81 mm Terminal Block Header  
 PRODUCT NO. RPEV-XXCAXA-FG  
 FILE NAME RPEV-XXCAXA-FG LF APD.DWG